

2 Axis Accelerometer with Alarm Function

Type: WTM-400

WTM-400 Characteristic

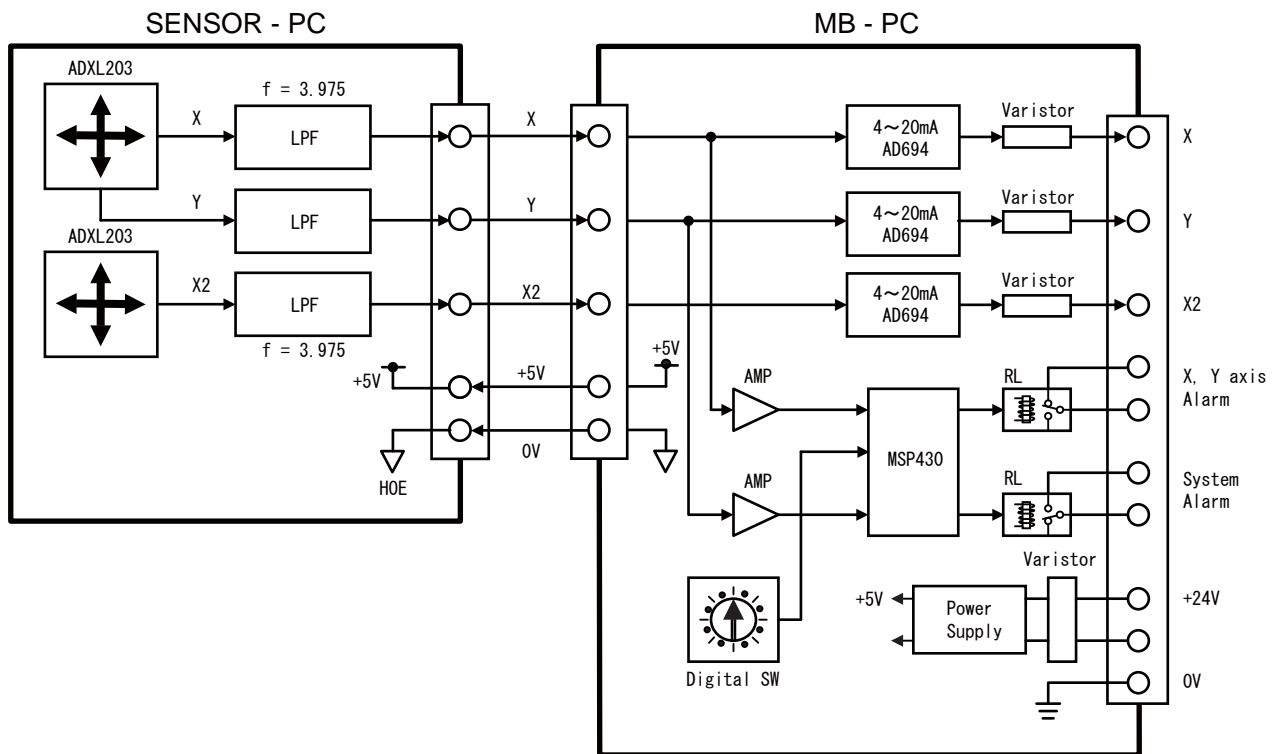
- Suited for a low frequency vibration measurement of a large-sized makeup.
- Two axis acceleration measurement of X,Y is possible.
- For X, Y axis acceleration, there is an alarm detection.
- Direct analog output (4-20mA) is provided, and pre-amps are unnecessary.
- An unnecessary high frequency cuts it in LPF.
- Use under outdoor environment is possible (with waterproof).



WTM-400 Specification

| No | ITEM | SPECIFICATION |
|----|-----------------------|--|
| 1 | Output Channel | X axis output 2ch Y axis output 1ch |
| 2 | Accelation Sensor | ADL203 × 2 |
| 3 | Sensor Sensitivity | ±1G / FS |
| 4 | Output | ±1G / 4~20mA ±2% |
| 5 | Sensor Accurary | ±2% |
| 6 | Frequency Response | DC ~ 3.975 Hz |
| 7 | Phase Shift | 45° / 4 Hz ±10% |
| 8 | X,Y axis Alarm Output | Dry contact × 1 |
| 9 | X,Y axis Alarm Setter | 0 ~ ±15° |
| 10 | Power Supply | DC 24V ±20% |
| 11 | Operating Temperature | -40°C ~ +50°C |
| 12 | Strage Temperature | -50°C ~ +80°C |
| 13 | Interface Connector | NJW-2010-RM |
| 14 | Outer Dimension | 130mm × 120mm × 70mm |

WTM-400 Function diagram



WTM-400 Outer dimension

