

4 - 20mA Output Accelerometer

Type: WTM-200/300

WTM-200/300 Characteristic

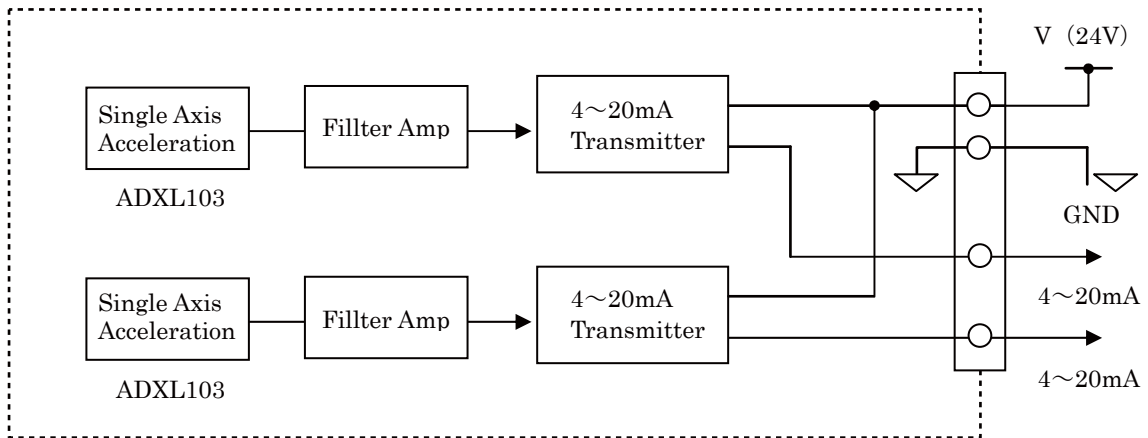
- Suited for a low frequency vibration measurement of a large-sized makeup.
- Direct analog output (4-20mA) is provided, and pre-amps are unnecessary.
- An unnecessary high frequency cuts it in LPF.
- Use under outdoor environment is possible (with waterproof).



WTM-200/300 Specification

No	ITEM	SPECIFICATION	
		WTM-200	WTM-300
1	Output Channel	2CH	
2	Accelation Sensor	ADXL103	
3	Sensor Sensitivity	$\pm 1\text{G}/\text{FS}$	
4	Output	$\pm 1\text{G}/4 \sim 20 \text{ mA} \pm 2\%$	
5	Sensor Accuracy	$\pm 2\%$	
6	Frequency Response	DC $\sim 3.975\text{Hz} \pm 10\%$	DC $\sim 100\text{Hz} \pm 10\%$
7	Phase Shift	$45^\circ / 3.975\text{Hz} \pm 10\%$	$45^\circ / 100\text{Hz} \pm 10\%$
8	Operating Temperature	$-40^\circ\text{C} \sim +50^\circ\text{C}$	
9	Strage Temperature	$-50^\circ\text{C} \sim +80^\circ\text{C}$	
10	Interface Connector	NJW-2010-RM	
11	Outor Dimension	130mm \times 120mm \times 55mm	
12	Power Supply	24V $\pm 20\%$	
13	Electricity Consumption	Less than 1.5W	

WTM-200/300 Function Diagram



WTM-200/300 Outer Dimension

